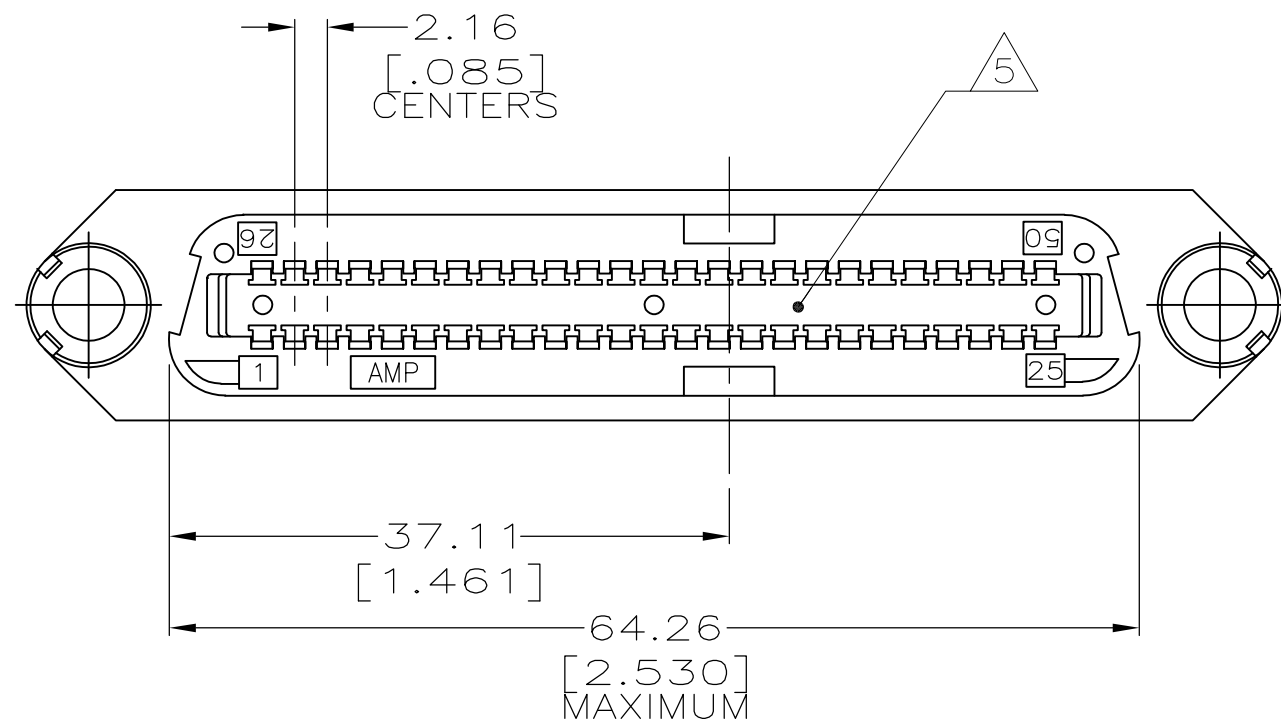
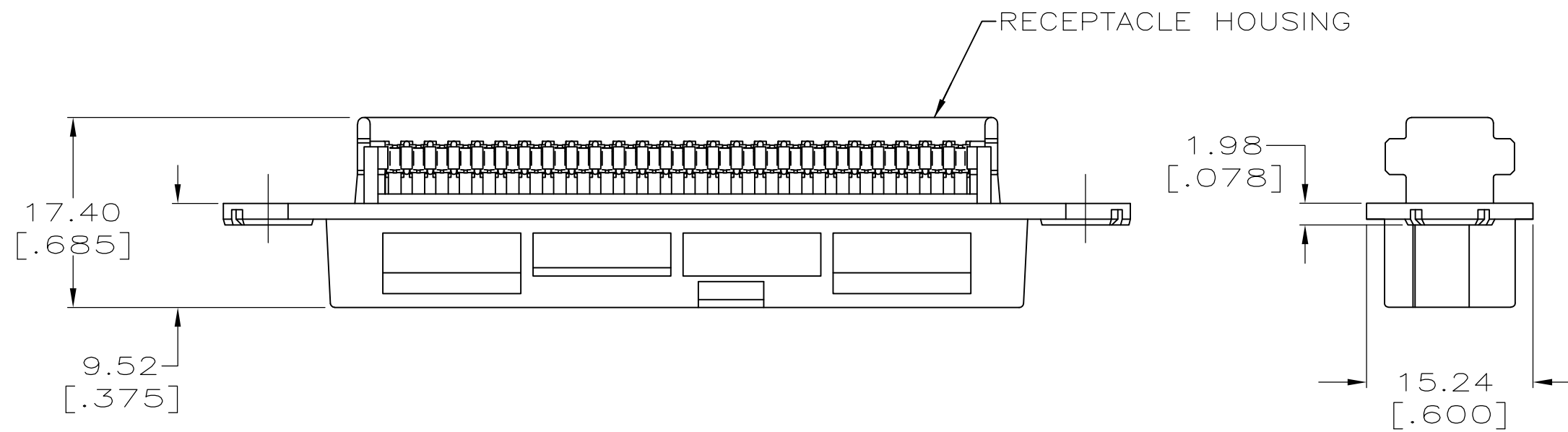
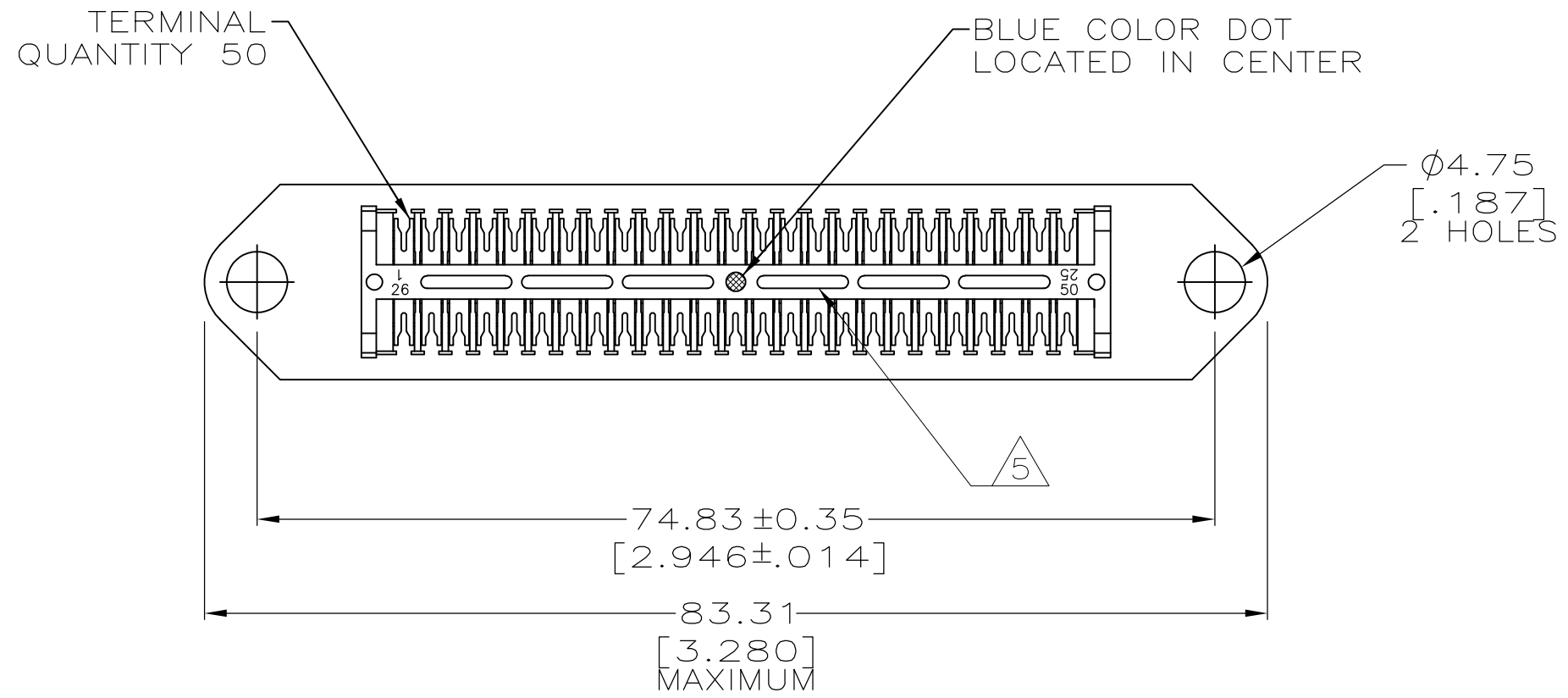


THIS DRAWING IS UNPUBLISHED. RELEASED FOR PUBLICATION  
 © COPYRIGHT BY TYCO ELECTRONICS CORPORATION. ALL RIGHTS RESERVED.

LOC	DIST	REVISIONS					
		P	LTR	DESCRIPTION	DATE	DWN	APVD
GP	00		U	REVISED PER ECO-08-007327	05SEP08	BM	WM



1. THE CONTACT SURFACES OF THE TERMINALS ARE COATED WITH LUBRICANT.
2. ALL DIMENSIONS SHOWN ARE FOR REFERENCE ONLY UNLESS OTHERWISE SPECIFIED.
3. MATERIAL: HOUSING - POLYPHEYLENE OXIDE. TERMINAL - HIGH STRENGTH COPPER ALLOY PLATED WITH  $0.76\mu\text{m}$  [.000030] MIN GOLD OR GOLD FLASH OVER PALLADIUM NICKEL PLATE,  $0.76\mu\text{m}$  [.000030] MIN TOTAL ON MATING SURFACE.  $1.27\mu\text{m}$  [.000050] MIN NICKEL UNDERPLATE OVER ENTIRE TERMINAL.
4. WIRE SIZE: 24 AND 26 AWG SOLID OR 24 7 STRANDED COPPER CONDUCTORS. MAX INSULATION DIAMETER OF 1.14 [.045] IS ACCEPTABLE FOR MOST APPLICATIONS.
5. CORING MAY OR MAY NOT APPEAR AND IS AT THE DISCRETION OF AMP.

SUPERSEDED BY 2-552001-1	BLACK	THIN FLANGE	2-552001-1
	BLACK	THICK FLANGE	552001-1
	COLOR	DESCRIPTION	PART NUMBER

THIS DRAWING IS A CONTROLLED DOCUMENT.		DWN DL DRUMMOND 01JUN01	Tyco Electronics Corporation Harrisburg, PA 17105-3608	
DIMENSIONS: mm [INCHES]		CHK DL DRUMMOND 01JUN01	NAME	
TOLERANCES UNLESS OTHERWISE SPECIFIED:		APVD EW BEILES 01JUN01	RECEPTACLE ASSEMBLY, 50 POSITION, B-SLOT, WITH .187 DIAMETER HOLES, CHAMP-LOK	
0 PLC ± -		PRODUCT SPEC	SIZE	RESTRICTED TO
1 PLC ± -		APPLICATION SPEC	CAGE CODE	
2 PLC ± -			DRAWING NO	
3 PLC ± -			00779	
4 PLC ± -			C=552001	
ANGLES ± -		WEIGHT	SCALE	SHEET
FINISH			2:1	1 of 1
MATERIAL		CUSTOMER DRAWING	REV	U